



Precision Refrigeration wine cabinets protect your wine from light and vibration. Wine of all varieties can now be stored safely, and kept at its best.

The wine cabinets have been expertly designed by Precision engineers to store wine bottles on wooden racks.

Manufactured in a high quality stainless steel finish, these wine cabinets allow customers to view the wine they are drinking in a visually appealing way. The wine will continue to mature until it is served, to give its fullest flavour and taste.

Wine Storage - Key Features:

Stainless Steel Interior & Exterior

+3 / 15°C Temperature Range

Wooden Slide Out Shelving

Tinted Bronze Glass Door with LED lights

Electronic Controller With Easy Read LCD Screen

Door Locks Fitted As Standard

Hi / Lo Audio Visual Temperature Alarms

Waste Heat Recovery Condensate Vaporiser System

Front Breathing / Venting - Can Be Built-In

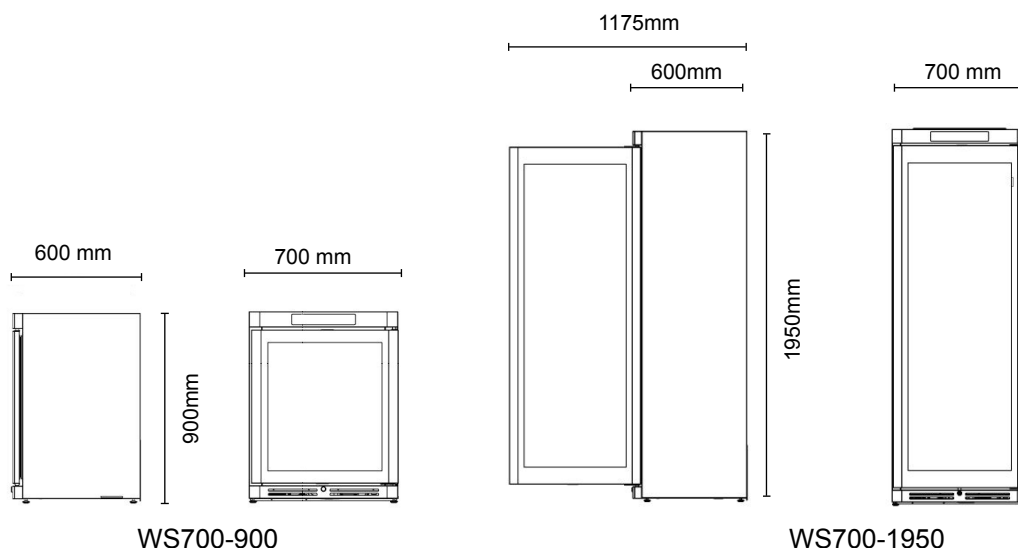
Options:

Painted Exterior (To Any RAL Number)



WS700-900

WS700-1950



Model	WS700-900	WS700-1950
Type	Wine Storage	Wine Storage
Material	ST/ST Int/Ext	ST/ST Int/Ext
Shelf/Rack Size (mm)	554 x 335	554 x 335
Number of Shelves / Drip Trays	4	8
Temperature Range	+3 / 15°C	+3 / 15°C
Wine Bottle Capacity (Bordeaux size 750ml)	24	88
Exterior WxDxH (mm)	700 x 600 x 900	700 x 600 x 1950
Weight (KG)	55	133
Refrigerant / GWP	R290 / 3	R290 / 3
Refrigeration Watts (+45°C Condensing)	307	307
Evaporating Temp	-10°C	-10°C
Heat Rejection Watts*	450	450
Noise Output (dBa)	55	58
Power	220 / 50 / 1	220 / 50 / 1
Running Amps	0.8	1.2
Total Electrical Load - kW	0.18	0.26
Energy Consumption / 24hrs - kWh**	N/A	N/A
Energy Consumption / Year (AEC) - kWh**	N/A	N/A
Energy Efficiency Class**	N/A	N/A

* Heat Rejection is taken at the listed evaporating and condensing condition. Watts is calculated by taking the total power of the cabinet.

** Tested to BS EN ISO 22041

We are constantly innovating and improving our products. Please scan QR code for the most up-to-date version of this spec sheet: