



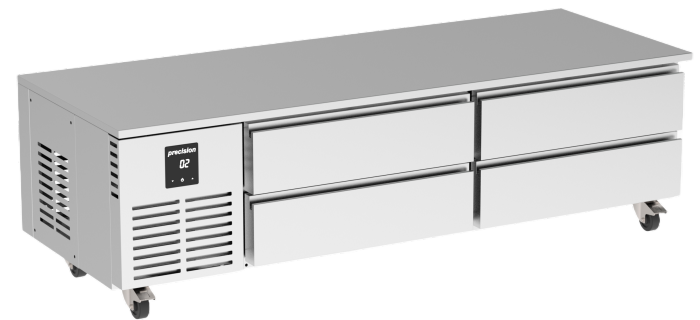
HUBC411
4 x GN1/1 Drawers

Precision Under Broiler Counters are designed to provide refrigerated storage, in an easy pull-out drawer format, under the chargrill or griddle within the cooking line. This reduces non productive time and congestion within the kitchen giving staff refrigerated storage exactly where it's needed.

Proudly designed in the UK, these robust counters are capable of meeting the highest demands of commercial kitchens all around the world.



HUBC412
2 x GN1/1 Drawers & 2 x GN2/1 Drawers



HUBC422
4 x GN2/1 Drawers

Key Features:

Stainless Steel Interior & Exterior

Front Breathing & Rear Venting Refrigeration System
Designed To Operate In 43°C Ambient

GN 1/1 and/or GN 2/1 Drawer System

Left Hand Condensing Unit

R290 Refrigerant

Zero ODP Injected Polyurethane Insulation

+1 / 4°C Refrigerator Temperature Range

Electronic Controller With Easy Read LCD Screen

Off Cycle Defrost

Heat Resistant Worktop Designed To Carry Up To
150kg (Evenly Spread)

Rifle Bore Coated Evaporators

Integrated Flush Drawer Handle

Gastronorm Sized Drawers

Hi / Lo Audio Visual Temperature Alarms

Condensing Unit Safety System To Protect
Compressor From Blocked Condensers

Heavy Duty Brake & Swivel Castors

Waste Heat Recovery Condensate Vaporiser System

Options:

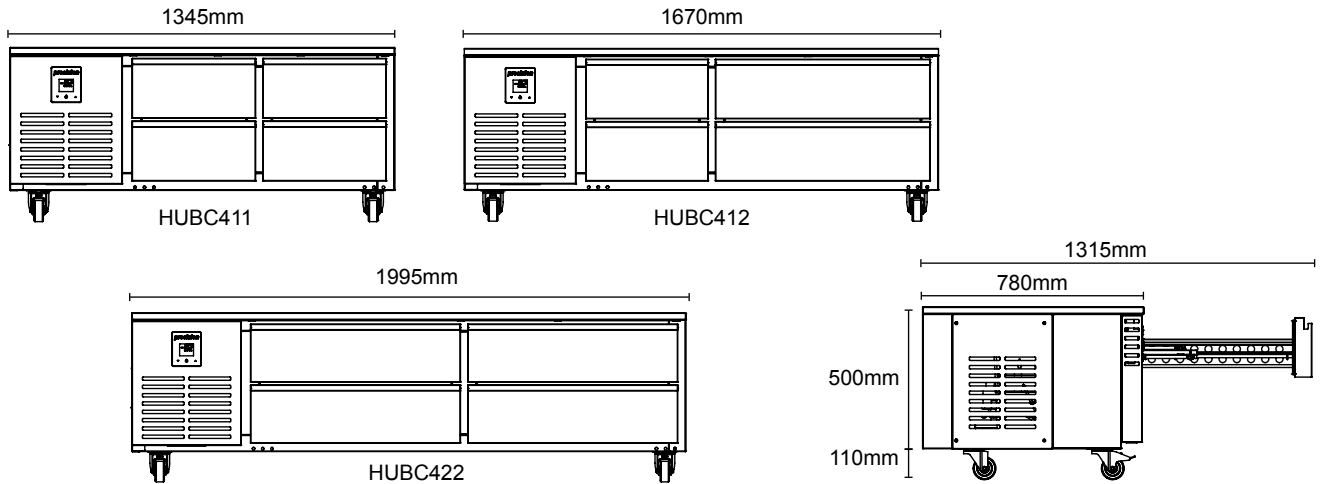
Single Deep Drawer In Place Of Bank Of 2 Drawers

Stainless Steel Back

Precision Connect

Notes:

Ventilation At Rear Required When Plinth Mounted



Model	HUBC411	HUBC412	HUBC422
Type	Refrigerator	Refrigerator	Refrigerator
Material	ST/ST Int/Ext	ST/ST Int/Ext	ST/ST Int/Ext
Drawer Size	4 x GN1/1	2 x GN1/1 + 2 x GN2/1	4 x GN2/1
Maximum Pan Depth	100mm	100mm	100mm
Max Number of Shelves	N/A	N/A	N/A
Temperature Range	+1 / 4°C	+1 / 4°C	+1 / 4°C
Exterior WxDxH (mm)	1345x780x610	1670x780x610	1995x780x610
Net Usable Volume (litres)	71	104	139
Weight (KG)	110	140	170
Refrigerant / GWP	R290 /3	R290 /3	R290 /3
Refrigeration Watts (+45°C Condensing)	373	373	373
Evaporating Temp	-10°C	-10°C	-10°C
Heat Rejection Watts*	560	560	560
Noise Output (dBa)	60	60	60
Power	220 / 50 / 1	220 / 50 / 1	220 / 50 / 1
Running Amps	1.2	1.2	1.2
Total Electrical Load - kW	0.26	0.26	0.26
Energy Consumption / 24hrs - kWh**	1.35	1.77	1.74
Energy Consumption / Year (AEC) - kWh**	493	646	635
Energy Efficiency Class**	A	B	B

* Heat Rejection is taken at the listed evaporating and condensing condition. Watts is calculated using total power of the cabinet.

** Tested to BS EN ISO 22041

We are constantly innovating and improving our products. Please scan QR code for the most up-to-date version of this spec sheet: