



PT1401

Key Features:

Stainless Steel Interior & Exterior

Designed To Operate In 43°C Ambient

Built-In Air Rear Duct For Even Temperature Distribution

R290 Hydrocarbon Refrigerant

Zero ODP Injected Polyurethane Insulation

-2 / +4°C Refrigerator Temperature Range

Electronic Controller With Easy Read LCD Screen

Hot Gas Defrost

Door Locks Fitted As Standard

Rifle Bore Coated Evaporators

Ergonomic Flush Door Handle

Gastronorm Shelving System - Anti Tilt Slides

Hi / Lo Audio Visual Temperature Alarms

Condensing Unit Safety System To Protect Compressor From Blocked Condensers

Self Closing Doors

Heavy Duty Brake & Swivel Castors

Waste Heat Recovery Condensate Vaporiser System



PT601

Options:

Glass Doors

Half Height Doors - Glass Or Solid

Extra Std Nylon Coated Shelves / Slides - GN2/1

Stainless Steel Shelves / Slides - GN2/1

Extra Shelf / Pan Slides

600 x 400 Bakery Racking - 20 Pairs Of Slides / Door

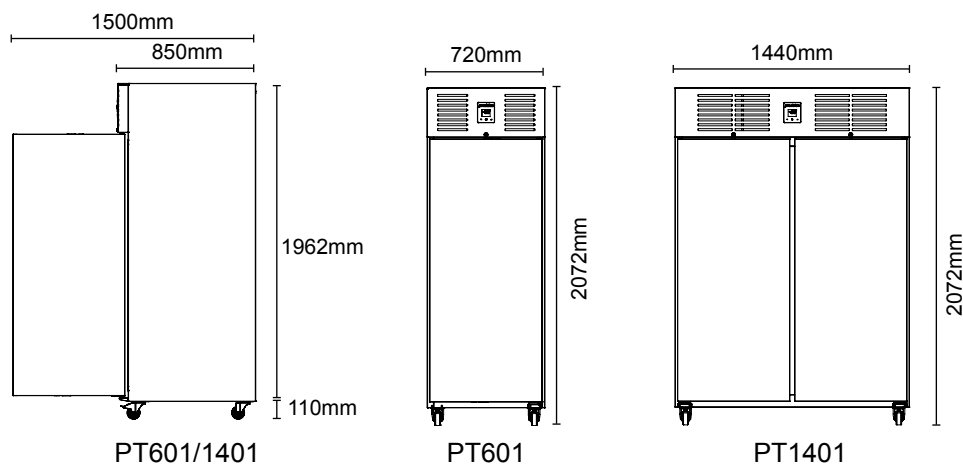
Fish Shelving - 8 x GN2/1 - 100mm Deep - Stainless Steel Pans & Slides per section with Slime Trays

Stainless Steel Back

Left Hand Hinged Door

Adjustable Legs

Precision Connect



Model	MPT601	LPT601	MPT1401	LPT1401
Type	Refrigerator	Freezer	Refrigerator	Freezer
Material	ST/ST Int/Ext	ST/ST Int/Ext	ST/ST Int/Ext	ST/ST Int/Ext
Shelf Size	GN2/1	GN2/1	GN2/1	GN2/1
Number of Shelves	4	4	8	8
Max Number of Shelves (100mm Spacing)	14	14	28	28
Temperature Range	-2 / +4°C	-18 / -22°C	-2 / +4°C	-18 / -22°C
Exterior WxDxH (mm)	720x850x2072	720x850x2072	1440x850x2072	1440x850x2072
Net Usable Volume (litres)	460	460	933	933
Weight (KG)	138	146	210	230
Refrigerant / GWP	R290 / 3	R290 / 3	R290 / 3	R290 / 3
Refrigeration Watts (+45°C Condensing)	373	498	964	733
Evaporating Temp	-10°C	-30°C	-10°C	-30°C
Heat Rejection Watts*	569	747	1446	1100
Noise Output (dBa)	67	69	73	74
Power	220 / 50 / 1	220 / 50 / 1	220 / 50 / 1	220 / 50 / 1
Running Amps	1.3	2.7	4	3.5
Total Electrical Load - kW	0.29	0.59	0.88	0.77
Energy Consumption / 24hrs - kWh**	1.22	5	2.89	9.88
Energy Consumption / Year (AEC) - kWh**	445	1825	1055	3606
Energy Efficiency Class**	B	C	C	D

* Heat Rejection is taken at the listed evaporating and condensing condition. Watts is calculated using total power of the cabinet.

** Tested to BS EN ISO 22041

We are constantly innovating and improving our products. Please scan QR code for the most up-to-date version of this spec sheet: