

OPERATING INSTRUCTIONS: HPRT 1 / LPRT 1 Roll In Cabinet

V1/2019



This page is intentionally left blank.

Contents

| | |
|---|-------|
| General Hazards | 4 |
| Electrical Connection | 4 |
| Unpacking | 4 |
| Installation | 4 - 8 |
| Ventilation | 9 |
| LAE Electronic Controller Display | 9 |
| Initial Start-Up | 9 |
| Checks | 10 |
| Using Your Piece Of Refrigeration Equipment | 10 |
| Commissioning Instructions | 10 |
| Temperature Setting | 10 |
| Defrosting | 10 |
| Maintenance & Cleaning | 11 |
| Condenser Cleaning | 11 |
| Gasket Replacement | 11 |
| End Of Life Disposal Requirements | 11 |
| Fault Finding | 12 |
| Alarms | 12 |
| Wiring Diagram | 13 |
| Notes | 14 |

All information is subject to change without prior notice

General Hazards

All moving parts of the refrigerator are suitably guarded, any repairs and maintenance should only be carried out by a qualified professional. Any waste or redundant refrigeration devices must be disposed of in accordance with national laws and regulations.

Electrical connection

The product is supplied with a moulded plug, which needs a suitable socket. This cabinet should not be used outside, and should be used in a dry environment. The plug needs to be accessible once the equipment is placed in its final position. If the plug needs to be replaced, it must be completed by a qualified staff.



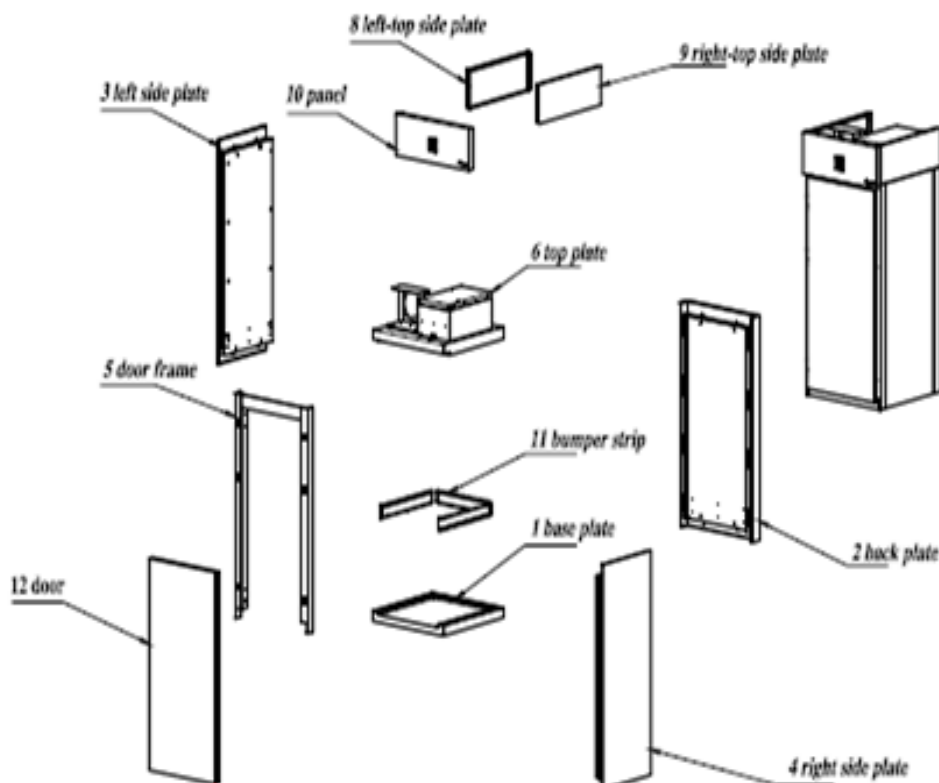
Unpacking

Leave all packaging in place until refrigerator is in its final position to avoid damage. When the cabinet is in its final position, carefully remove all packaging and check for damage. Any damage should be reported immediately to your dealer. All packaging should be carefully disposed of and recycled where possible.

Installation

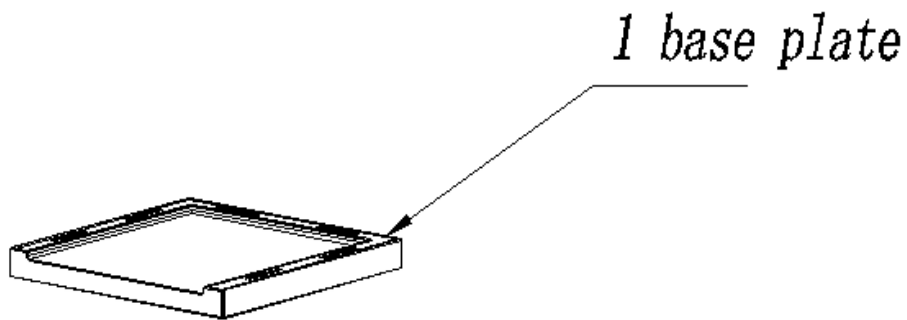
The roll-in cabinet needs to be installed on site due to its large size. The cabinet is disassembled and marked with numbers before shipping out, customers can install at site conveniently.

Disassembled parts are numbered as following diagram:

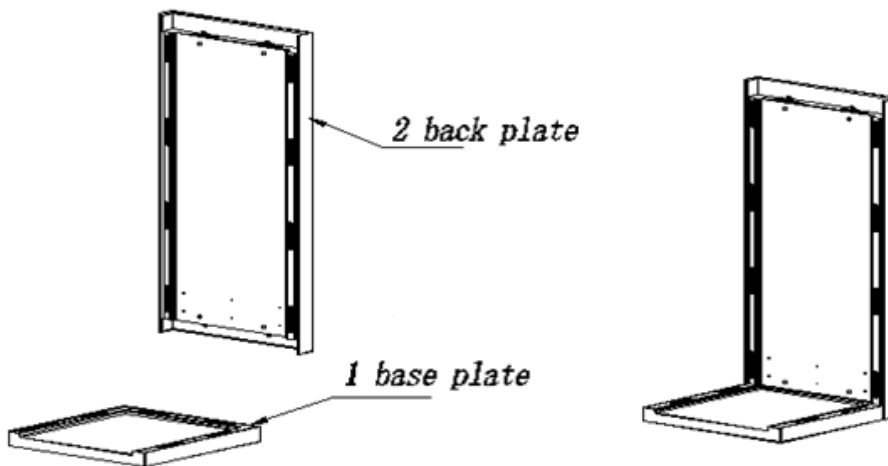


Installation Steps:

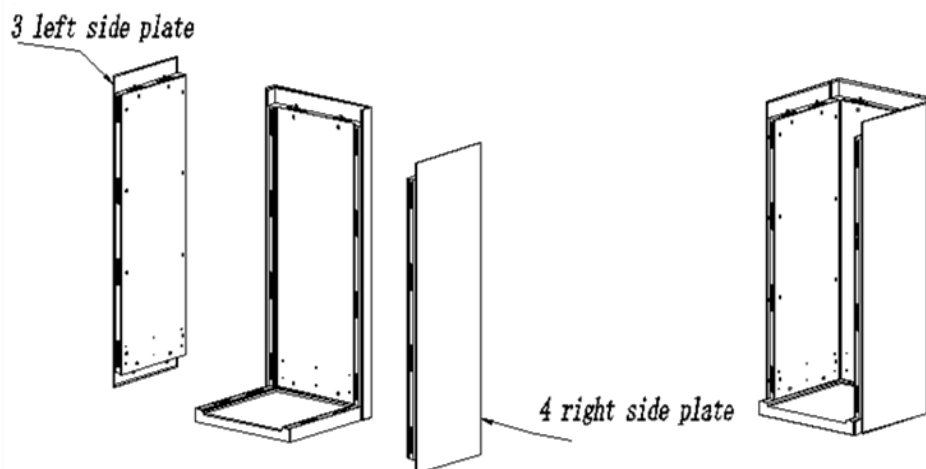
1. Fix No.1 base plate to specified location assigned by the site;



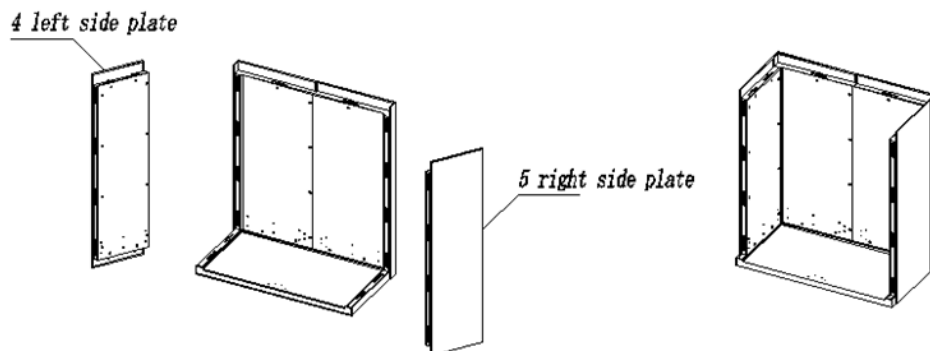
2. Fix No.2 left-backing plate on No.1 base plate, fasten it with hook lock, to ensure a firmly connection;



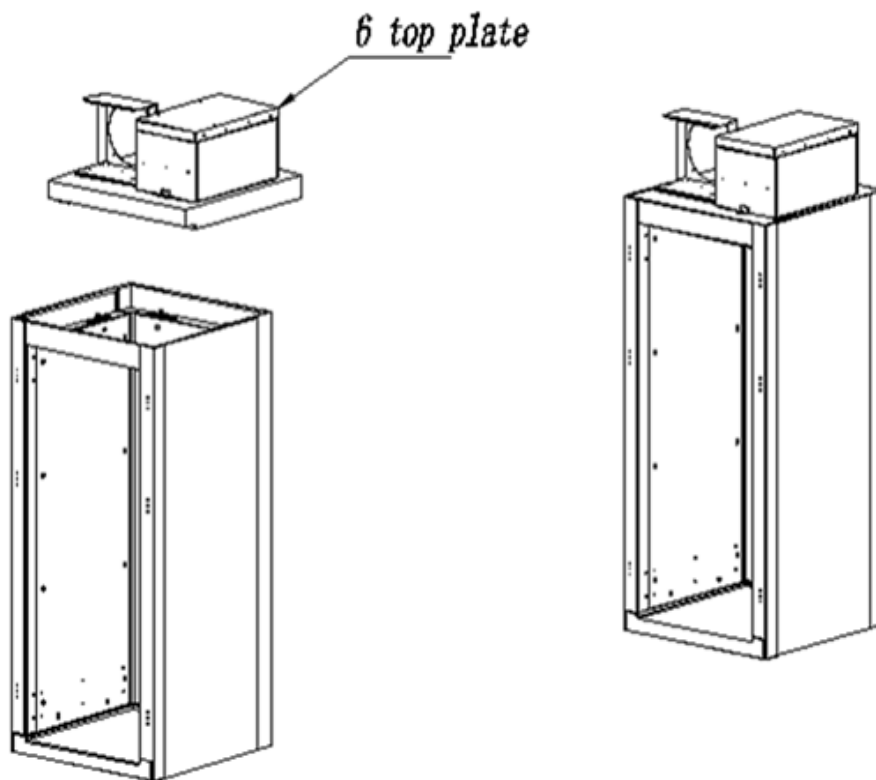
3. Install the left and right side plates of No. 3 and No. 4 on No. 1 bottom plate respectively, and lock them firmly with the back and bottom plate by hook lock to ensure the flat top.



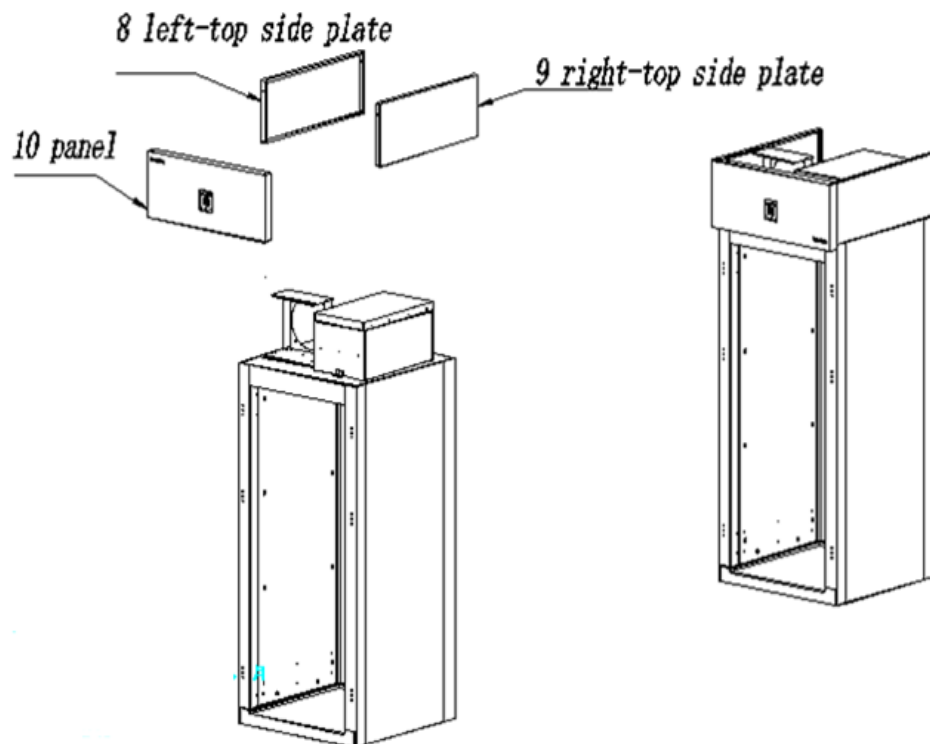
- 4.1 Connect the door frame heater wire firmly.
- 4.2 Install the door frame of No. 5 on the side panels, lock the side panel and the door frame by hook lock to ensure the flat top.



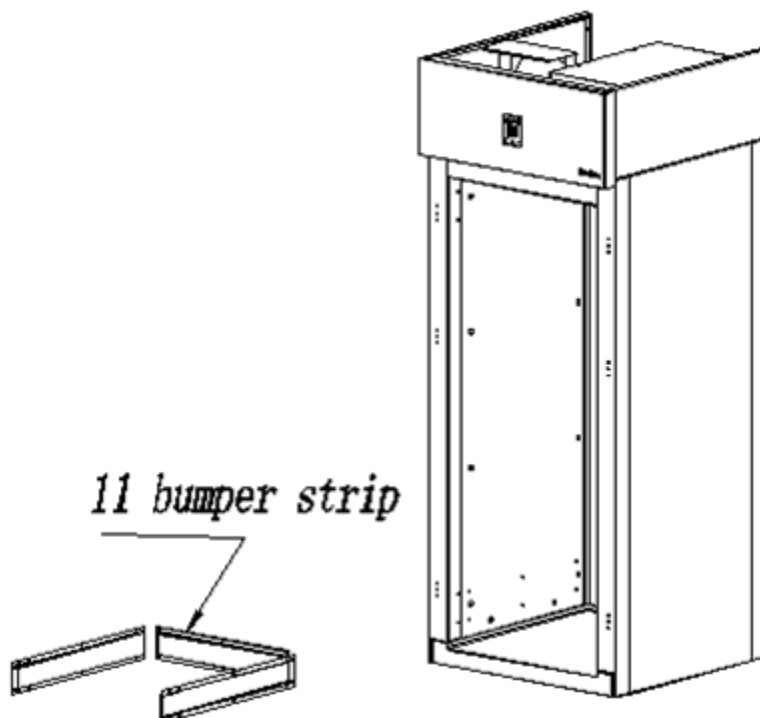
- 5.1 Load the No. 6 top plate together with the connecting unit to the top of the cabinet and lock it firmly by hook lock.
- 5.2 Connect the door frame heater wire firmly.



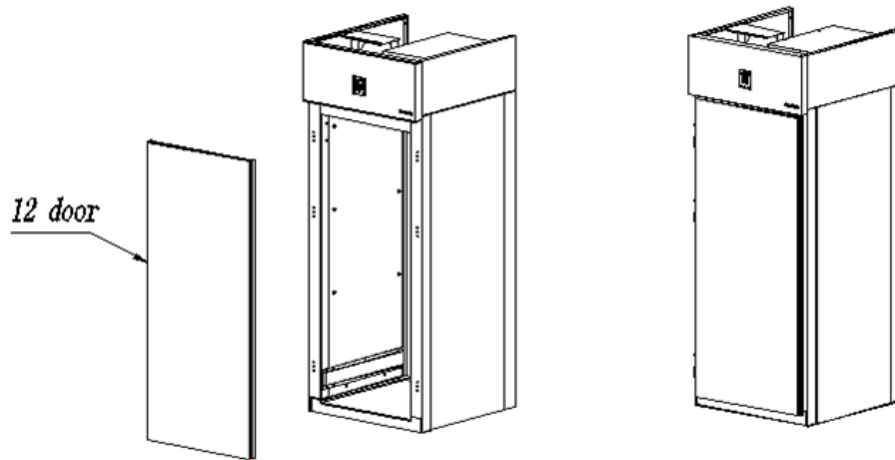
- 6.1 Install No. 8 and No. 9 side plates above the cabinet, and connect them firmly by M5*10 screws.
- 6.2 Buckle No. 10 panel on left and right plate.
- 6.3 Connect display wire.



7. Install No. 11 bumper strip into the cabinet liner (bottom), and fasten it firmly by M5*10 screws.



8.1 Hang door of No. 12 on the hinge base of door frame, buckle the sealing plate of door hinge base, and the installation is completed.

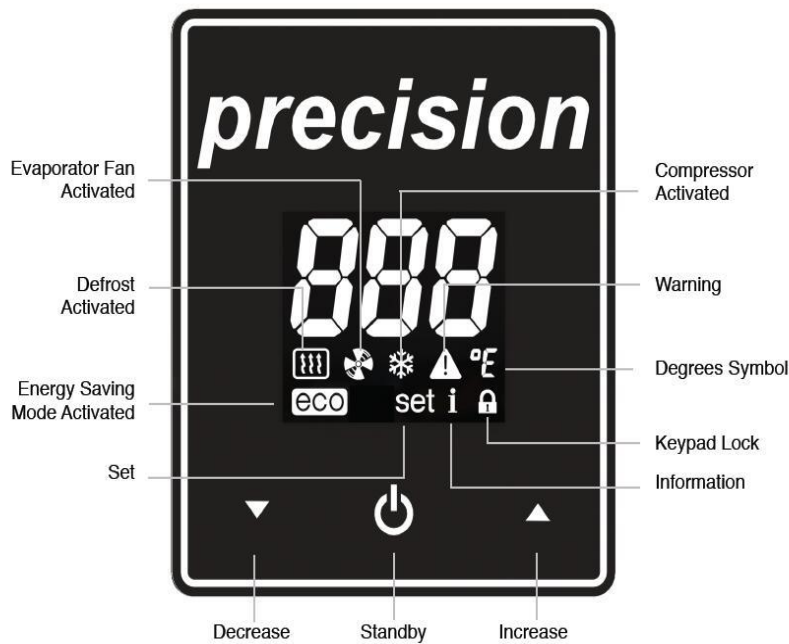


This product must be placed on the horizontal floor to ensure the automatic closure of cabinet doors and proper discharge of condenser water, which is especially important for freezer.


Ventilation

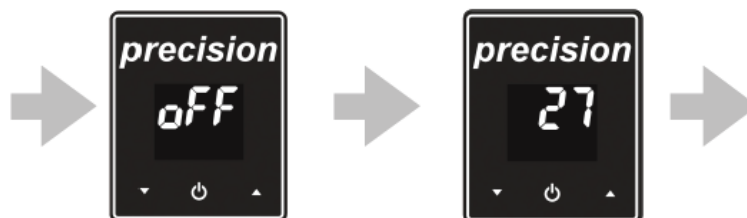
Refrigeration device will generate a lot of heat. Take a 2-door freezer as an example, the heat generated by the refrigerator is equivalent to a 3kw electric heater. Therefore, it is essential that adequate ventilation be provided around the refrigeration unit for ventilation and maintenance access. Ventilation grills must not be blocked, or even partially blocked as this could affect the cabinet's performance and lifespan.

LAE Electronic Controller Display



Initial Start Up

Plug the moulded plug into a suitable socket. If necessary, push the  button on the controller to start the unit. The cabinet air temperature will be displayed once the unit is running. To standby the unit when running, press and hold the button for 3 seconds.



For example: Current temperature

Checks

After initial start up, after 3 minute time delay the cabinet should start to pull down to the preset temperature, check that the temperature is reducing and listen inside and outside the cabinet to make sure the fans are turning freely to check there has been no movement in shipping. If time permits, stay with the cabinet until the preset temperature is reached and the condensing unit cuts out. The preset temperature can be checked by pressing the ▽ and △ button on the controller.

Using Your New Piece Of Refrigeration Equipment

The cabinet must reach its preset operating temperature before loading any produce.

Cover all foods ensuring that cooked and raw foods are kept separate to avoid cross contamination.

Warm or hot food should never be stored inside the cabinet.

Foods containing acetic acids or yeast should be covered or ideally stored in airtight containers otherwise premature failure of the refrigeration system may occur.

Commissioning Instructions

Refrigerator +1°C to +10°C / Freezer -18°C to -22°C

Temperature setting

Refrigerators are designed to operate between +1°C and +10°C depending ; freezers between -18°C and -22°C depending .

The control is preset at the factory for this temperature and should require no readjustment.

The temperature settings can be checked by pressing & holding the ▽ & △ button. The settings then can be changed to better meet the site conditions by pressing ▽ and △ button, and then confirm the changes by pressing ○ button. (The refrigerator can be adjusted to +10°C at the highest and the lowest is +1°C the freezer can be adjusted to -18°C at the highest and the lowest is -22°C). The temperature set is the cut out (stopping) temperature; the cut-in (starting) temperature is determined by the differential.

Defrosting

All Precision refrigerated cabinets are fitted with a fully automated defrost system that ensures the cooling system remains free from ice under normal conditions. If a manual defrost is required, this can be activated by simultaneously pressing ○ & △ button , which will terminate automatically once the pre-programmed temperature has been reached.

Maintenance

The cabinet is fully automatic and apart from cleaning needs very little maintenance.

Interior and exterior should be cleaned with soap and water and no abrasives should be used as they will scratch and spoil the stainless steel finish.

Maintenance and Cleaning

Before cleaning and maintenance, the cabinet should be in standby mode then unplugged from the power supply.

Door Gaskets should be cleaned with warm soapy water and inspected on a regular basis, and if damaged they should be replaced. Cooking oils and harsh cleaning detergents will shorten the life of the gaskets and contact should be avoided.

Condenser Cleaning

All the heat removed from the cabinet is discharged into the room via the condenser which is similar to a car radiator. This must be kept clean so that the air can pass through it to remove the heat, if it becomes choked with dust the unit will over heat and this can lead to poor cooling performance, increased energy consumption and premature mechanical failure.

The condenser should be brushed with a soft brush to remove any dust deposited on the alloy fins. The frequency of this cleaning is determined by the amount of dust in the surrounding area but should be cleaned at least 4 times a year.

Gasket Replacement

Damaged gaskets can easily be replaced. Remove the old gasket by gently pulling it out of the gasket retainer and simply push in the new gasket leaving the corners until last.

End of Life Disposal Requirements

Refrigerated cabinets have components that could be harmful to the environment. All end of life equipment must be disposed of in accordance with national laws and regulations

Fault Finding

In the event of cabinet fault/failure, please check the following:


1. Plug is in socket and power to the socket can be proven by plugging another appliance into the same socket or swapping the problem cabinet to a socket that is known to work.
2. The fuse located in the plug is intact.
3. The condenser is clean and free from dust or debris.
4. Door gasket is sealing and free from damage.

If this doesn't solve the problem, please call a qualified technician.

When requesting a service call, please find the manufacturers data plate & provide the model, serial number & details of any fault codes that are displayed.

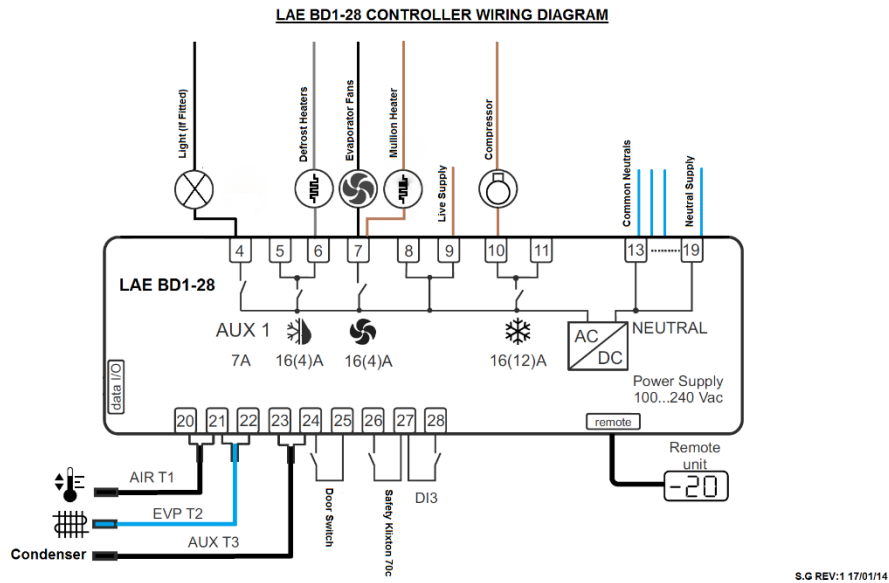
Alarms

The controller is equipped with audio & visual alarm:

| Alarm display | Alarm description | Action required |
|---------------|----------------------------------|--|
| do | Door Open Alarm | Close door |
| hc | Condenser High Temperature Alarm | Check for blockage / clean |
| ALR | High temperature safety alarm | Call engineer |
| hi | High temperature alarm | Press any button to cancel/check |
| Lo | Low temperature alarm | Press any button to cancel/check |
| E1 | Probe T1 failure | Call engineer |
| E2 | Probe T2 failure | Call engineer |
| E3 | Probe T3 failure | Call engineer |
| OFF | Cabinet in standby | Press  button for 3 seconds |

Press any button to turn off the alarm.

Wiring diagram



Note: Each Roll-in cabinet has two heater wire, one is for spare use.

